

Name : _____

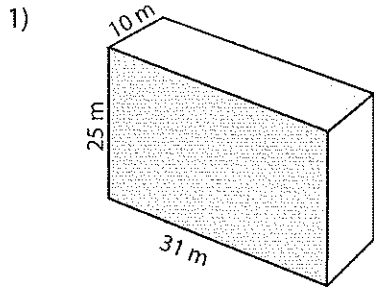
Answer key

Score : _____

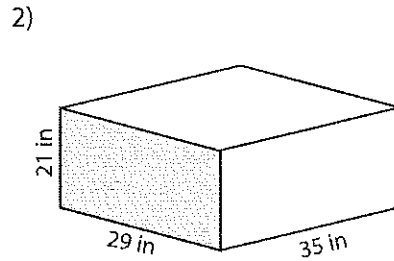
Surface Area - Rectangular Prism

MS1

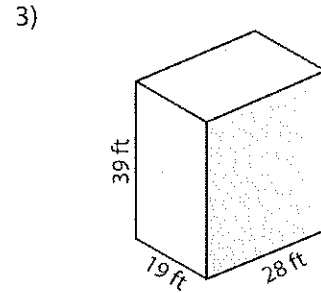
Find the surface area of each rectangular prism.



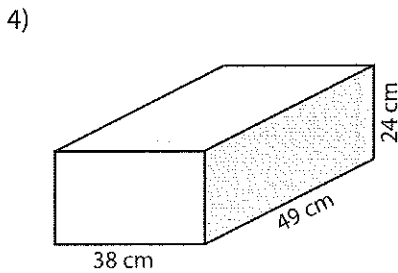
Surface Area = 2670 m²



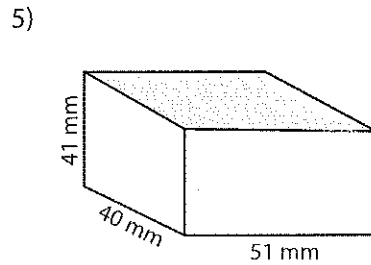
Surface Area = 4718 in²



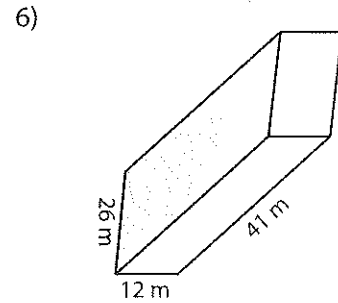
Surface Area = 4730 ft²



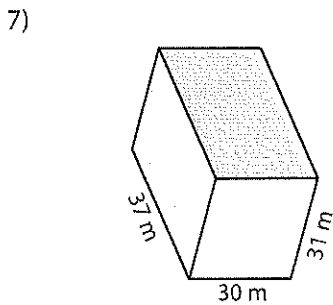
Surface Area = 7900 cm²



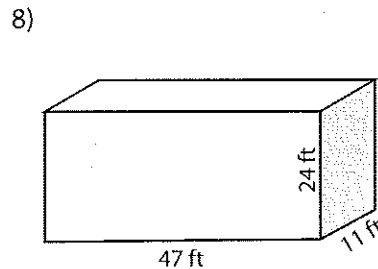
Surface Area = 11542 mm²



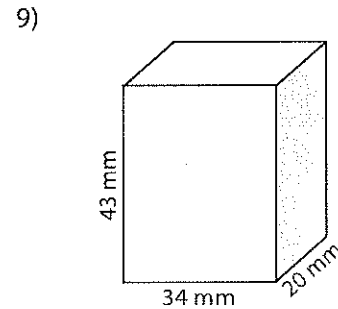
Surface Area = 3740 m²



Surface Area = 6374 m²



Surface Area = 3818 ft²



Surface Area = 6004 mm²

10) Edward Box Makers produces carton boxes each has a length of 40 centimeters, a width of 25 centimeters and a height of 19 centimeters. Find the minimum area of paper required to wrap each box.

Surface Area = 4470 cm²