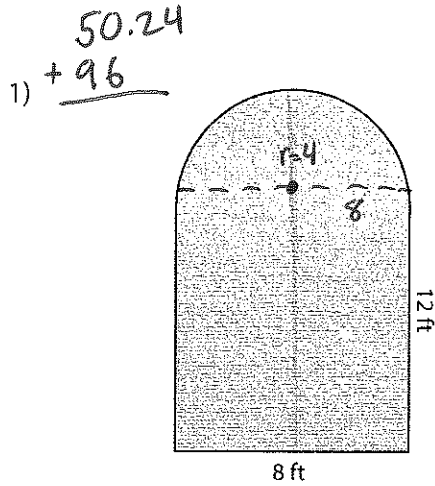
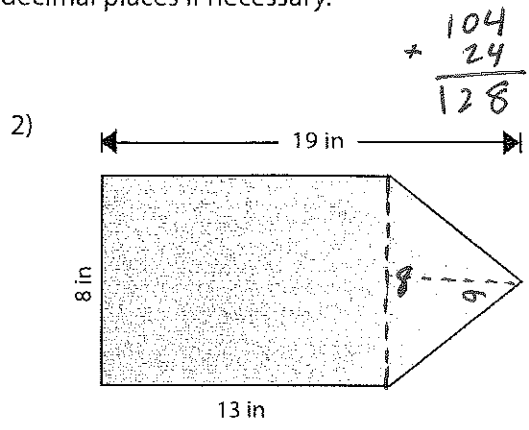


Area - Compound Shapes

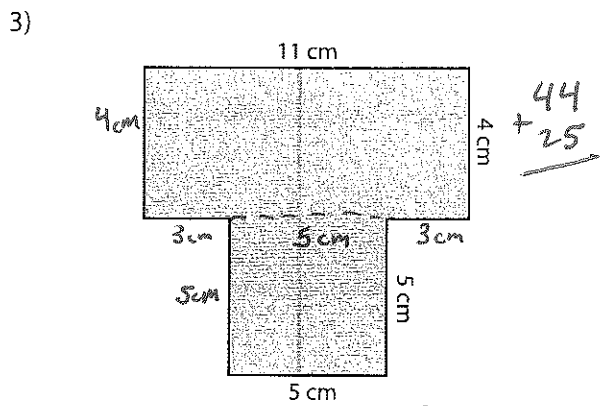
Find the area of each figure. Round the answer to 2 decimal places if necessary.



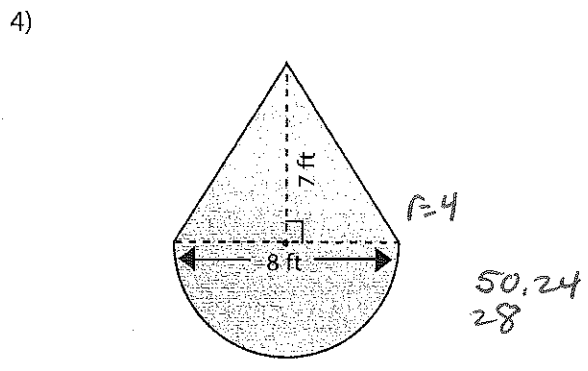
Area = 146.24 ft²



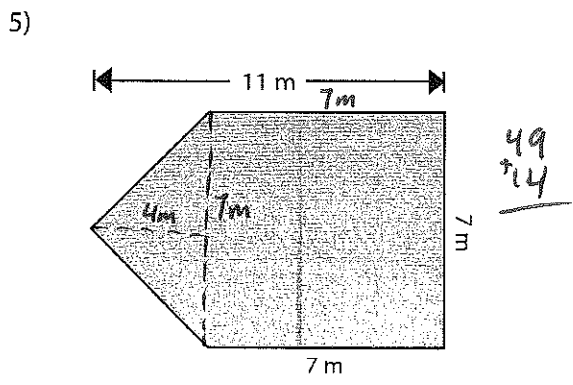
Area = 128 in²



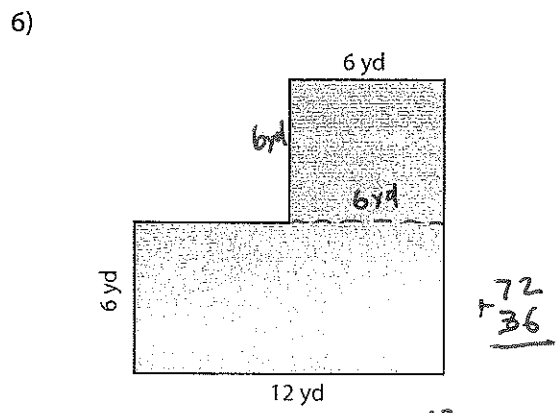
Area = 69 cm²



Area = 78.24 ft²



Area = 63 m²

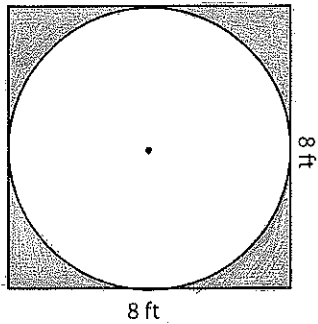


Area = 108 yd²

Area - Compound Shapes

Find the area of shaded region. Round the answer to 2 decimal places if necessary.

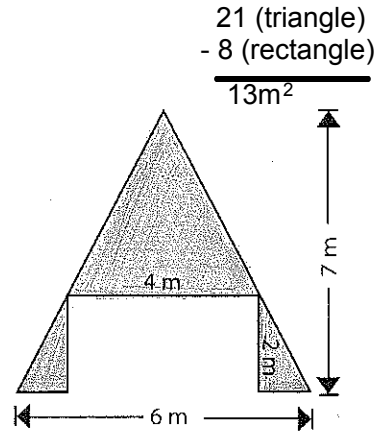
1)



$$\begin{array}{r} 64 \text{ (square)} \\ - 50.24 \text{ (circle)} \\ \hline 13.76 \text{ ft}^2 \end{array}$$

Area = 13.76 ft²

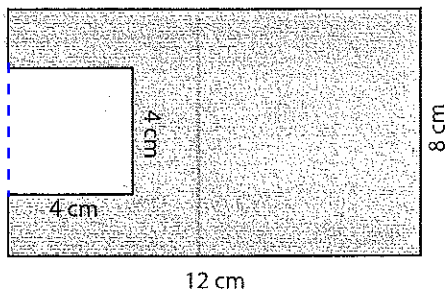
2)



$$\begin{array}{r} 21 \text{ (triangle)} \\ - 8 \text{ (rectangle)} \\ \hline 13\text{m}^2 \end{array}$$

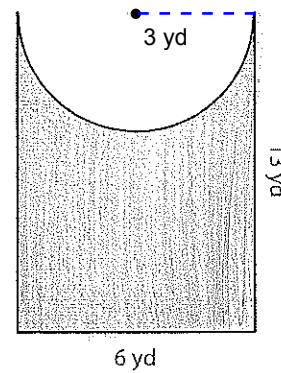
Area = 13m²

3)



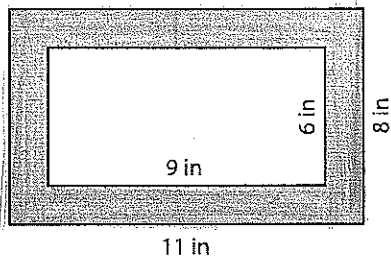
Area = _____

4)



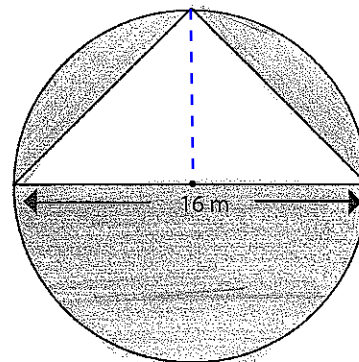
Area = _____

5)



Area = _____

6)



Area = _____